



OPERATION&MAINTENANCE MANUAL

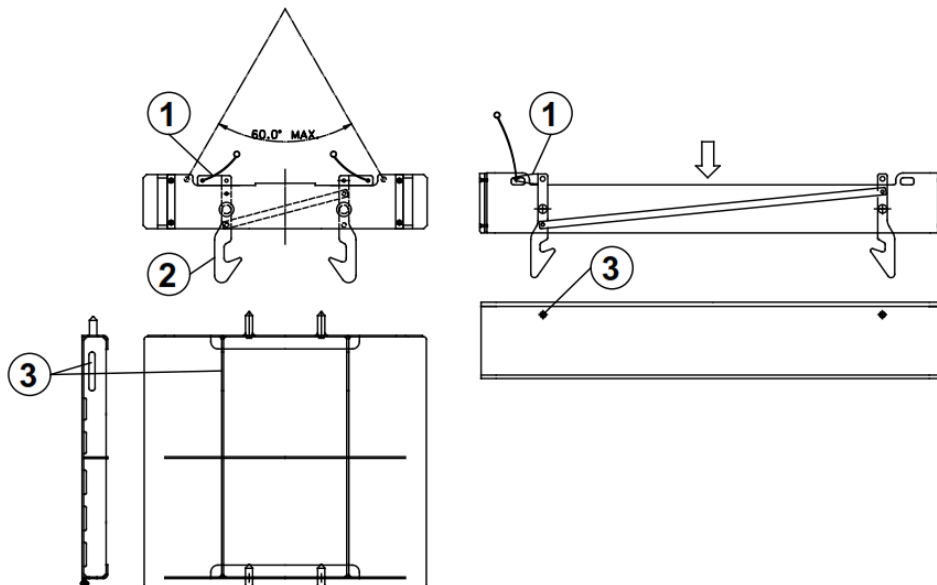
LIFTING DEVICE

FOR "SA", "SL" AND "AG" MODEL STOP LOGS AND STOP GATES

1. INTRODUCTION

- The present manual describes the recommended operation and maintenance procedures of ORBINOX Lifting Devices used for SA, SL and AG model stop log and gates.
 - The lifting device is used to automatically and remotely “engage” and “disengage” the logs for underwater retrieval and manual lanyard release.
 - The lifting device must be used in conjunction with a crane available at the worksite.
- ⚠** Make sure the Rated Lifting Capacity of the crane is higher than the Lifting Force specified in the GAD.
- ⚠** The lifting Device can only be used for its designated log (refer to the “General Arrangement Drawing” GAD). Do NOT use it to lift logs or gates not defined in the GAD.
- Please read thoroughly all the instructions in the manual prior to operation and contact an Orbinox representative in case of any questions.
 - Orbinox assumes no responsibility or liability if the Lifting Device is not operated or maintained in strict accordance to the procedures described in the present manual.

2. MAIN COMPONENTS



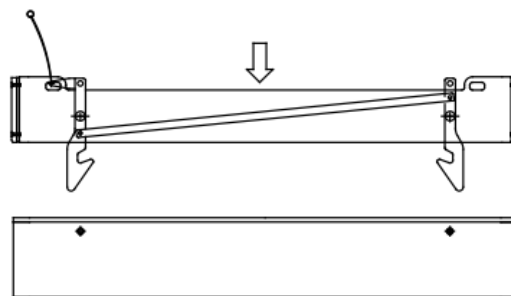
ITEM#	DESCRIPTION
1	LIFTING DEVICE LATCHING LEVER (+CABLE)
2	LIFTING DEVICE HOOKS
3	STOP LOG LIFTING POINT <ul style="list-style-type: none"> • SL and AG MODELS: OPENING ON GATE RIB • SA MODEL: HINGES

3. OPERATION

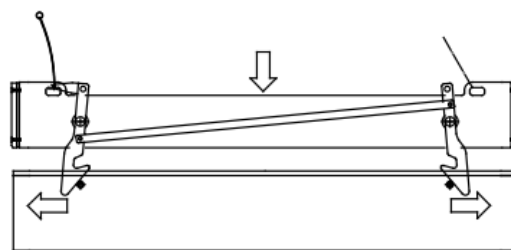
REMOVE LOGS:

- Secure the Lifting Device with the crane (use slings or chains as required). Maximum angle 60degrees.

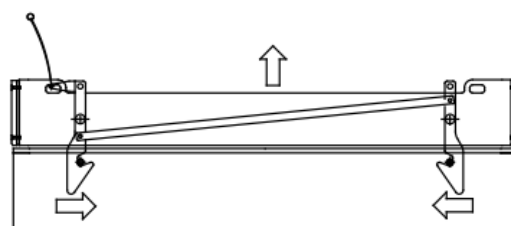
- Fit the lifting device inside the frame guides.



- Bring down the Lifting Device until it engages the log (the Lifting Device hooks will open when they contact the log's lifting hinges and will close by its own weight after moving down passed them).

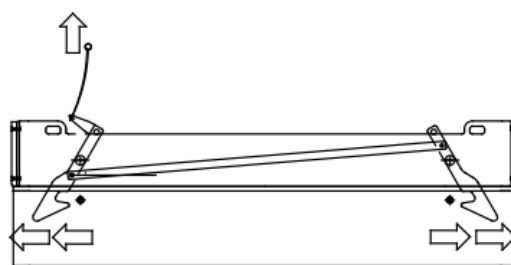


- Pull up the crane until the lifting device and the log come outside the frame guide.



- Place the log on the ground or storage rack (if available).

- Release the log by pulling from the Latching Lever.



INSERT LOGS:

- Secure the Lifting Device with the crane (use slings or chains as required).
- Engage the log (from its storage place) and fit them inside the frame guides.
- Bring down the Lifting Device until the log sits on top of another log or frame invert.
- Place the log on the ground or storage rack (if available).
- Release the log by pulling from the Latching Lever.

4. MAINTENANCE

Item to be inspected	Maintenance work description	Intervals			
		1 month	6 months	5 years	8 years
Lifting Device	Visually inspect the unit for signs of damage or corrosion. Also, verify that all parts are in place and that there are no loose bolts.		X		
Hooks	Check the hooks rotate freely. Apply grease if required or replace bronze bushings if required.		X		
Hatching lever	Check the pulling cable is in good condition.		X		